

Product name: PK cable lug 500-20

STK code: 5200311

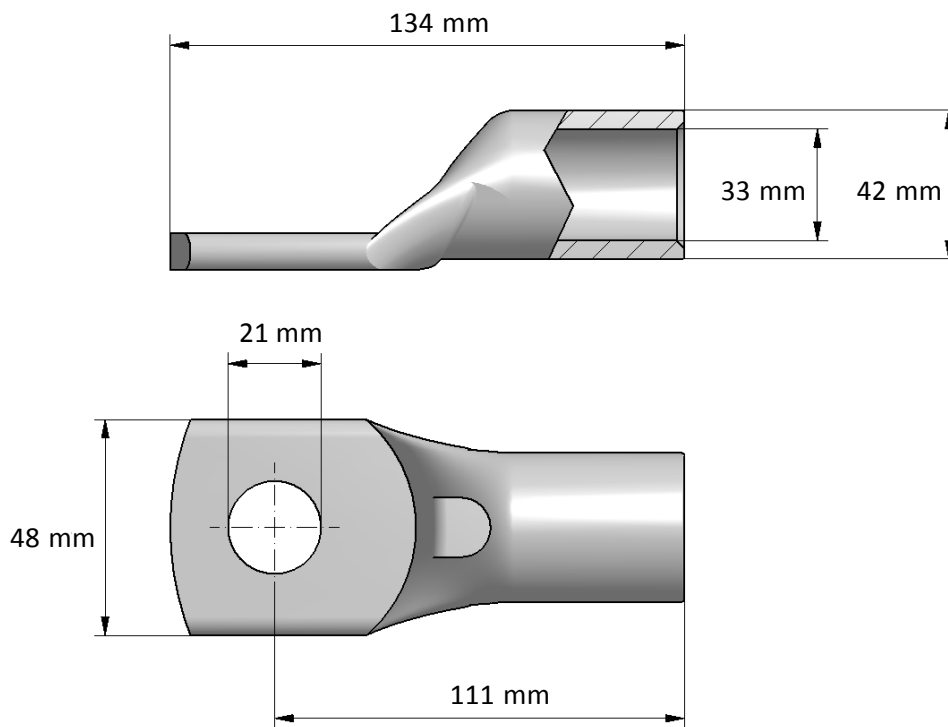
Weight (g): 501

 Wire size (mm²): 500

Nominal current (A): -

Nominal voltage (V): -

Installation: Crimping type tube connector



Product description

Ouneva copper cable lugs are designed for connecting copper cables, coils and busbars. The lugs are manufactured of 99,9% pure copper and electrolytically coated by tin. Cable lugs are also compatible with PEX cables. Installation of the cable lugs can be performed by the most basic crimping tools.

Package (pce): 1

Packing type: -

Length (mm): -

Height (mm): -

Width (mm): -

Volume (l): -

Weight (kg): -