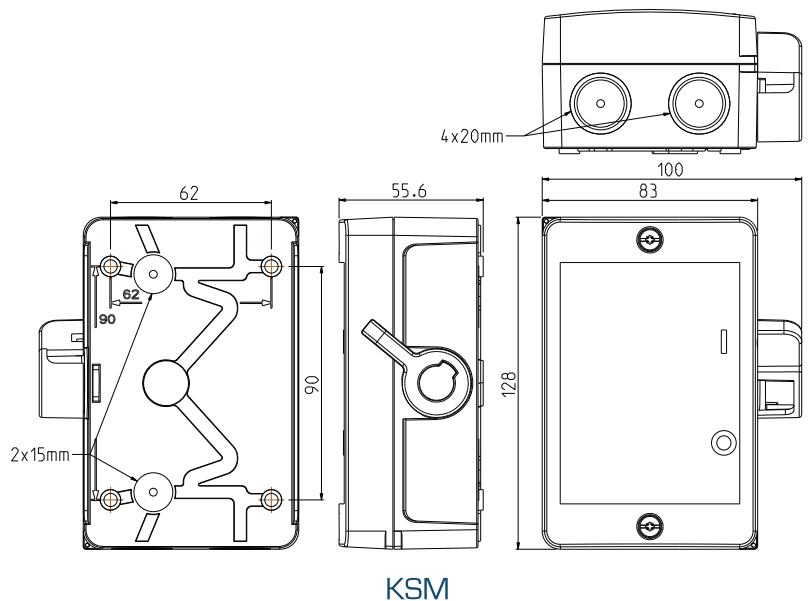


SIDE OPERATED SWITCHES POLYCARBONATE ENCLOSED 16A - 25A



- Easy to install
- IP67
- Good UV resistance
- Good resistance against many chemicals
- Self-extinguishing material
- Enclosure can be sealed in any position
- Handle sealable to on-position
- Padlockable handle to off-position
- Membrane gasket cable entries with strain relief as standard
- Also available with M20 cable glands
- Available as 2, 3, 4P and with auxiliary contact (S)
- AC-23 400V 16A-25A
- Terminal blocks 1,5mm²- 16mm²
- Grey enclosure, black handle



Type		AC-23 / 400 V	AC-23 / 690 V	Poles	Enclosure	EAN code 6419410...		E-NO	Weight kg
Grey	Y/R					Grey	Y/R	Grey	
KSM 216U	KSM 216U Y/R	16 A / 7,5 kW	-	2P	U1	...328347	...328170	3600363	0,21
KSM 316U	KSM 316U Y/R			3P		...328354	...328163	3600365	0,28
KSM 416U	KSM 416U Y/R			4P		...328361	...328187	3600367	0,28
KSM 316US	KSM 316US Y/R			3P*		...328378	...328194	3600369	0,31
KSM 225U	KSM 225U Y/R	25 A / 11 kW	-	2P		...328385	...328460	3600371	0,21
KSM 325U	KSM 325U Y/R			3P		...328392	...328477	3600373	0,28
KSM 425U	KSM 425U Y/R			4P		...328408	...328484	3600374	0,28
KSM 325US	KSM 325US Y/R			3P*		...328415	...328491	3600376	0,31

*with auxiliary contact, Y/R=yellow/red