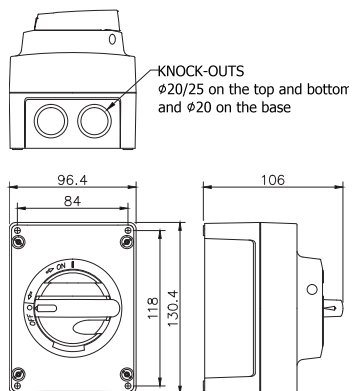


EMC-PROTECTED SAFETY SWITCHES 16-1000 A

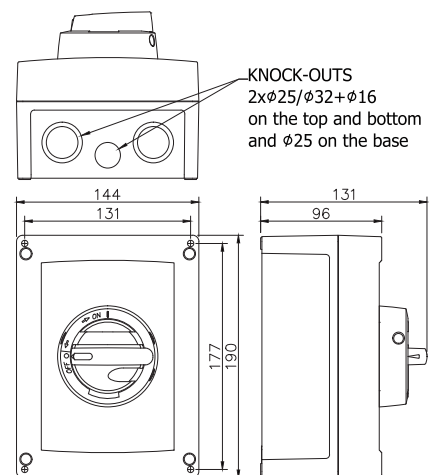


- Tested according to EN 55011 with EMC-glands shielded power cable
- Padlockable
- EMC cable glands included
- Available as 4-, 6- or 8-pole version

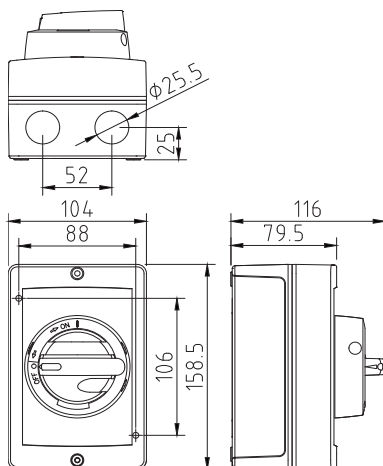
U2



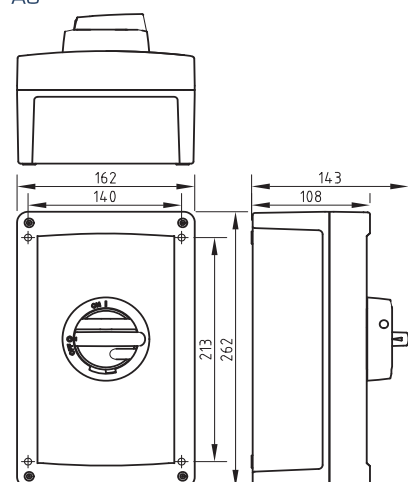
U3



A2



A3



Type	AC-23 / 400V	AC-23 / 690 V	Poles	Enclosure	IP	EAN code 6419410...	E-NO	Weight kg	
Polycarbonate enclosures									
KUM 316U / EMC	20 A / 7,5 kW	20 A / 15 kW	3P	U2	66	...301197	3600457	0,46	
KUM 316U1.V / EMC						...301500	3603082	0,46	
KUM 325U / EMC	25 A / 11 kW	25 A / 22 kW				U3	...302033	3603072	0,46
KUM 325U1.V / EMC							...301524	3603084	0,46
KUM 332U / EMC	32 A / 15 kW	25 A / 22 kW		U3		...302590	3600459	0,75	
KUM 332U1.V / EMC						...301548	3603086	0,75	
KUM 363U / EMC	63 A / 30 kW	40 A / 37 kW		U3		...302781	3603076	0,75	
KUM 363U1.V / EMC						...301562	3603088	0,75	
KUM 380U1.V / EMC	80 A / 41 kW	50 A / 55 kW	U4	...360224	3603089	1,25			
Aluminium enclosures									
KUA 316U1.V / EMC	20 A / 7,5 kW	20 A / 15 kW	3P	A2	66	...302996	3600524	0,85	
KUA 325U1.V / EMC	25 A / 11 kW	25 A / 22 kW				...309988	3600418		
KUA 332U1.V / EMC	32 A / 15 kW	25 A / 22 kW		A3		...303009	3600525	1,96	
KUA 363U1.V / EMC	63 A / 30 kW	40 A / 37 kW				...309995	3600428		
Sheet steel enclosures									
KUT 380T1.V / EMC	80 A / 45 kW	80 A / 55 kW	3P	TR02	65	...303016	3600526	8,14	
KUT 3125VT1.V / EMC	125 A / 55 kW	125 A / 90 kW				...303023	3600527	9,74	
KUT 3200VT1.V / EMC	200 A / 110 kW	200 A / 160 kW		TR03		...303047	3600529	20,05	
KUT 3250VT1.V / EMC	250 A / 132 kW	250 A / 250 kW				...303054	3600530	20,05	
KUT 3400VT1.V / EMC	400 A / 200 kW	400 A / 355 kW		TR04		...303061	3600531	20,44	
KUT 3630VT1.V / EMC	630 A / 355 kW	500 A / 500 kW				...303078	3600532	39,49	
KUT 3800T1.V / EMC	800 A / 400 kW	800 A / 710 kW		TR05		...303085	3600533	60,29	
KUT 31000T1.V / EMC	1000 A / 560 kW	1000 A / 800 kW		TR07		...303092	3600534	75,29	

M16 cable gland included with 1.V auxiliary contacts

Switch delivered with following cable glands:

Type	A	Cable glands	Cable size mm
KUM__EMC	16	M25	11-17
	25	M25	11-17
	32	M32	15-21
	63	M32	15-21
KUA__EMC	16	M25	11-17
	25	M25	11-17
	32	M40	19-28
	63	M40	19-28