

Area of Application:

Table mounted
Water

Max. working pressure 10 bar
Temperature range 5°C-65°C

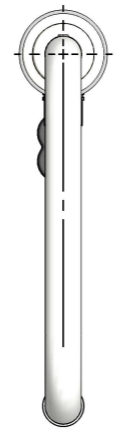
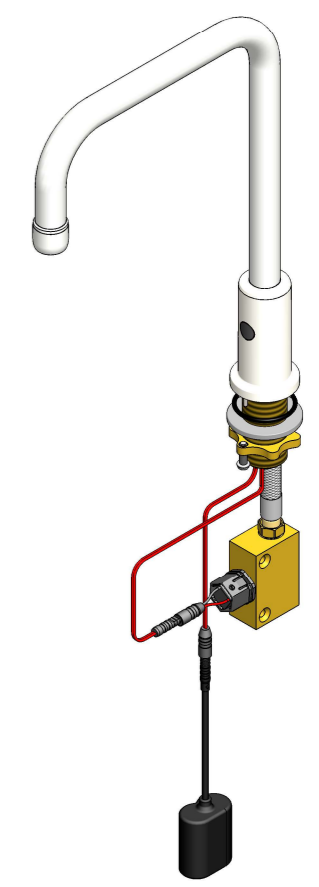
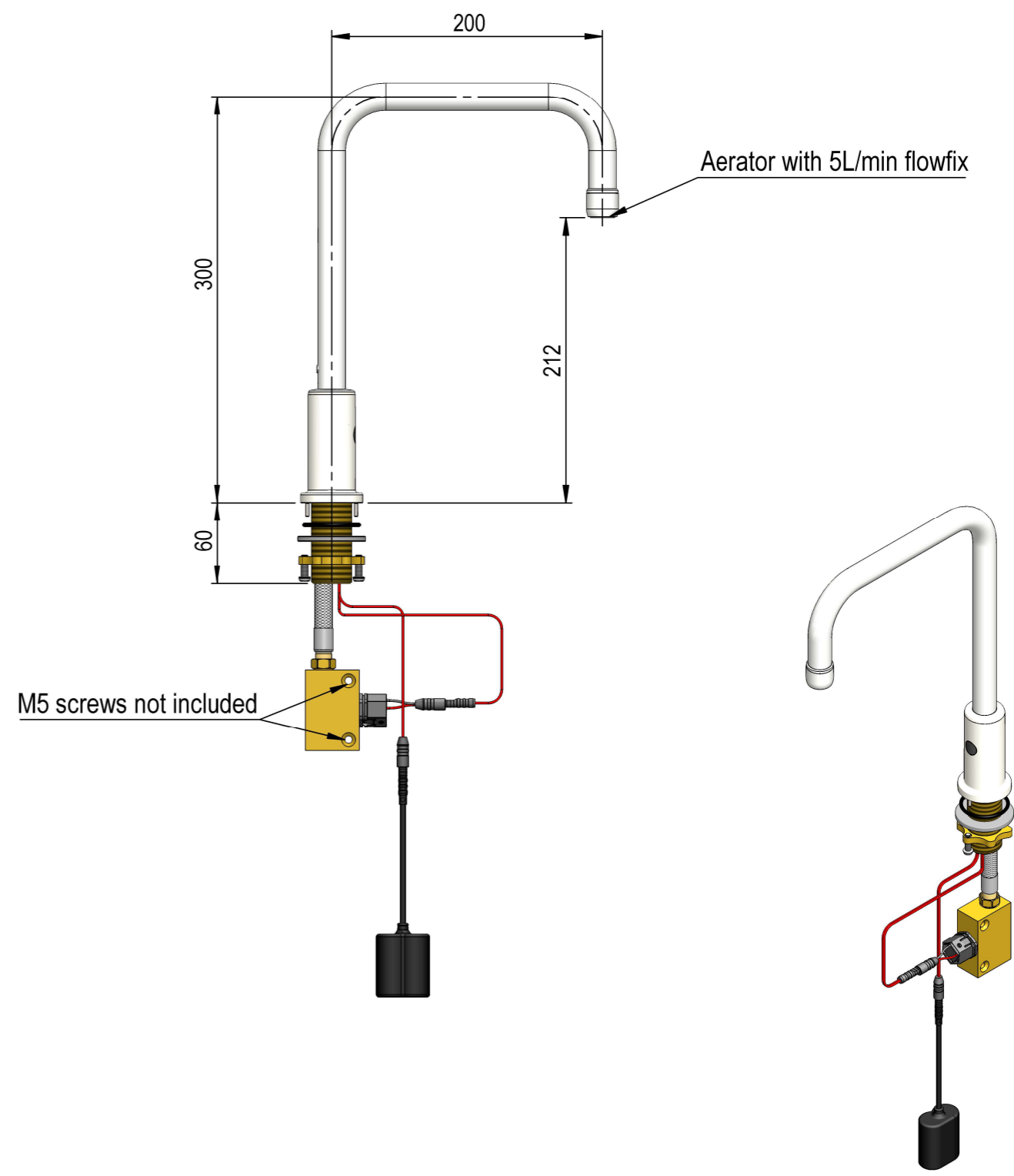
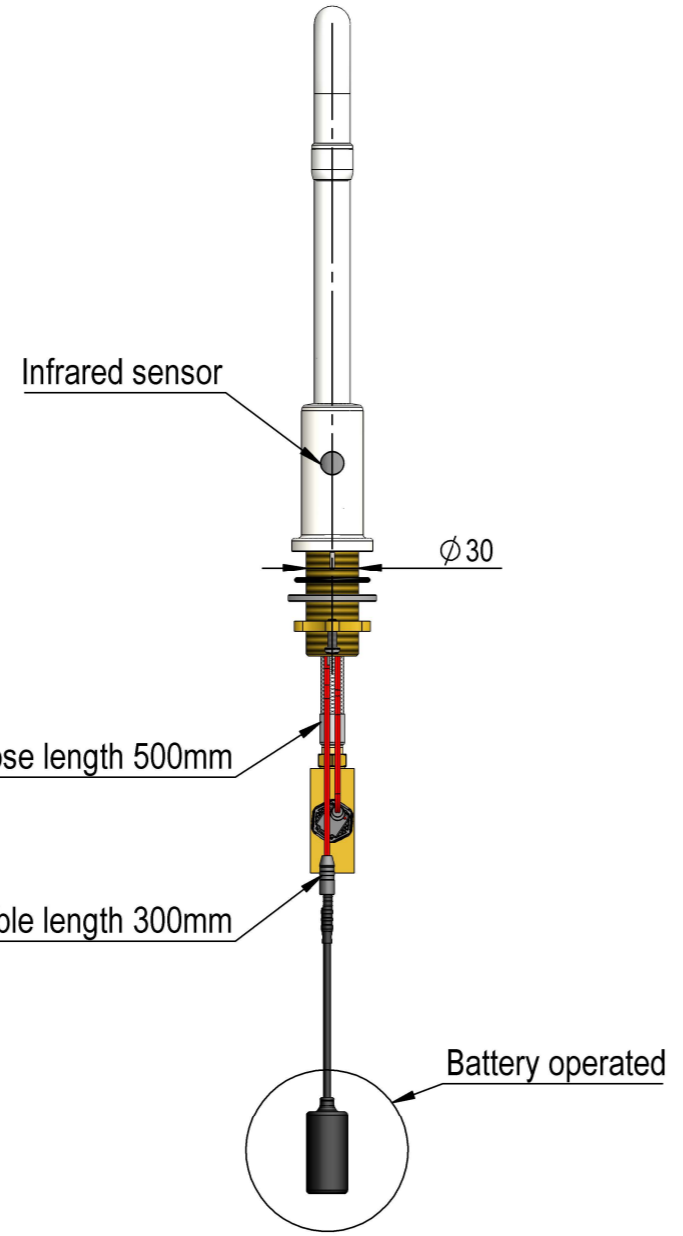
Details:
Servo controlled bi-stable cartridge valve
Swivel limited 110°
Aerator M22x1

Materials in media contact:
Brass
Rubber, EPDM
Silicone based lubricant
PPSU
SS
PA
SPX Hose

Mounting:
M30x1,5 nut with locking pins o-ring and washer (See 94G0232)

Inlet / outlet connection:
UniFlex
Aerator M22x1

Battery connection:
6V Lithium Battery



Description: 1-Valve, Table mounted, 1-Hole, Swivel limited 110°, M30x1,5mm										
								Media: Water		
Comments:										
Drawing type: Customer drawing								Weight: 1.384 Kg		
Rev.	Pos.	Date	TM No.	Design by	Drawn by:	Change:	Designed by: REK	Drawn by: REK	Released on TM No.:	Date: 29-04-2019
BROEN-LAB							This drawing is our property and cannot be given to a third party, copied or otherwise used without our permission. BROEN-LAB A/S.		Format: A3 Drawing No.: 26010081035-52	