
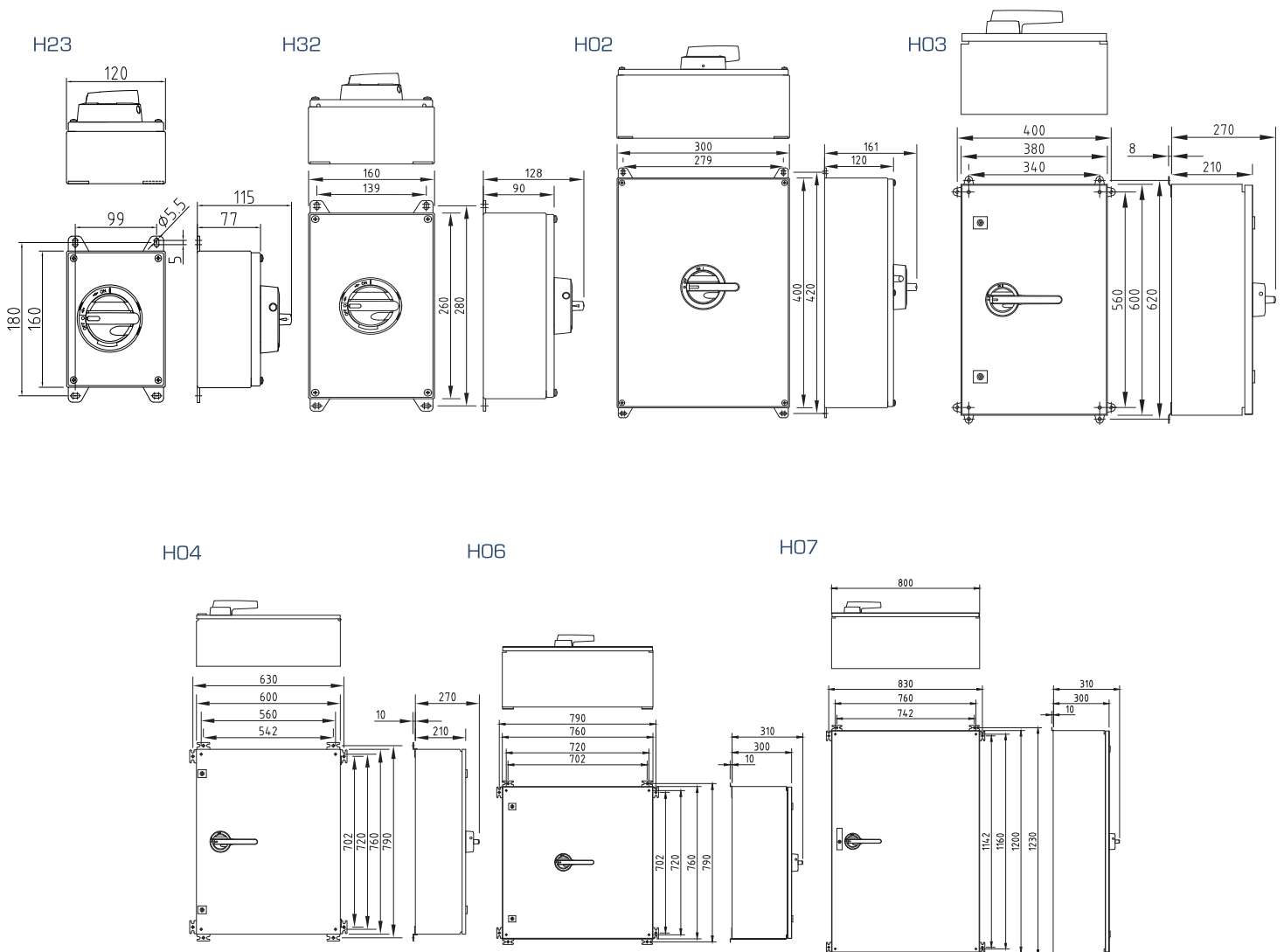


STAINLESS STEEL ENCLOSED SAFETY SWITCHES 25-1000A



- IP 66; Enclosure types H23, H32, H02 (AISI 316)
- IP 65; Enclosure types H03, H04, H06, H07 (AISI 316 or AISI 304)
- To environments where hygiene and corrosion resistance are important
- Meets AISI 316 requirements (acid proof) or AISI 304 (stainless steel)
- Padlockable 
- Available as EMC-version
- Available as 4- and 8-pole version (except 800A and 1000A only as 4-pole versions)



STAINLESS STEEL ENCLOSED SAFETY SWITCHES 25-1000A



KATKO EMC safety switches installed to a water purification system at the Sydney International Airport.

Type	AC-23 / 400V	AC-23 / 690 V	Poles	Enclosure	EAN code 6419410...	E-NO	Weight kg
KUR 325T1.V	25 A / 11 kW	25 A / 22 kW	3P	H23	...312308	3600880	1,2
KUR 625T1.V			6P	H32	...312421	3600885	2,5
KUR 363T1.V	63 A / 30 kW	40 A / 37 kW	3P	H32	...312605	3600881	2,3
KUR 663T1.V			6P	H32	...312629	3600886	2,5
KUR 3125VT1.V	125 A / 55 kW	125 A / 90 kW	3P	H02	...312902	3600882	8,5
KUR 6125T1.V			6P	H02	...312926	3600887	9,2
KUR 3250VT1.V	250 A / 132 kW	250 A / 250 kW	3P	H03	...312964	3600504	15
KUR 6250VT1.V			6P	H04	...312971	3600505	26
KUR 3400VT1.V	400 A / 200 kW	400 A / 355 kW	3P	H04	...312988	3600506	25
KUR 6400VT1.V			6P	H06	...312995	3600507	31
KUR 3630VT1.V	630 A / 355 kW	500 A / 500 kW	3P	H04	...313008	3600508	25
KUR 6630VT1.V			6P	H07	...313015	3600509	48
KUR 3800T1.V	800 A / 400 kW	800 A / 710 kW	3P	H07	...313022	3600510	48
KUR 31000T1.V	1000 A / 560 kW	1000 A / 800 kW	3P	H07	...313039	3600511	48

Switch delivered with following cable glands:

Type	A	Cable glands	Cable size mm
KUR	25	M25	11-16
	32	M40	19-27
	63	M40	19-27