

Cam-action indexing plungers with stop, stainless steel, Form A

Item description/product images



Description

Material:

Stainless steel 1.4305.

Version:

Bright.

Indexing pin ground, not hardened.

Note:

Cam-action indexing plungers are used when the indexing pin should not project all the time. Turning the handle through 180° retracts the pin.

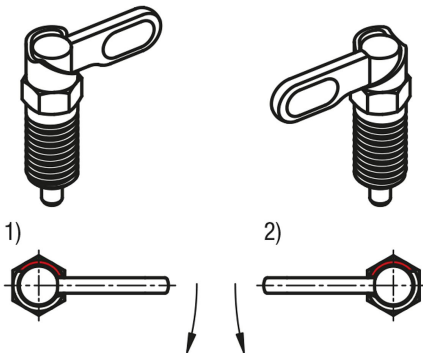
A notch ensures that the handle remains in this position.

A stop prevents the handle being rotated through more than 180° ensuring that the pin remains retracted.

Selecting which side the stop is on defines the rotation direction of the plunger.

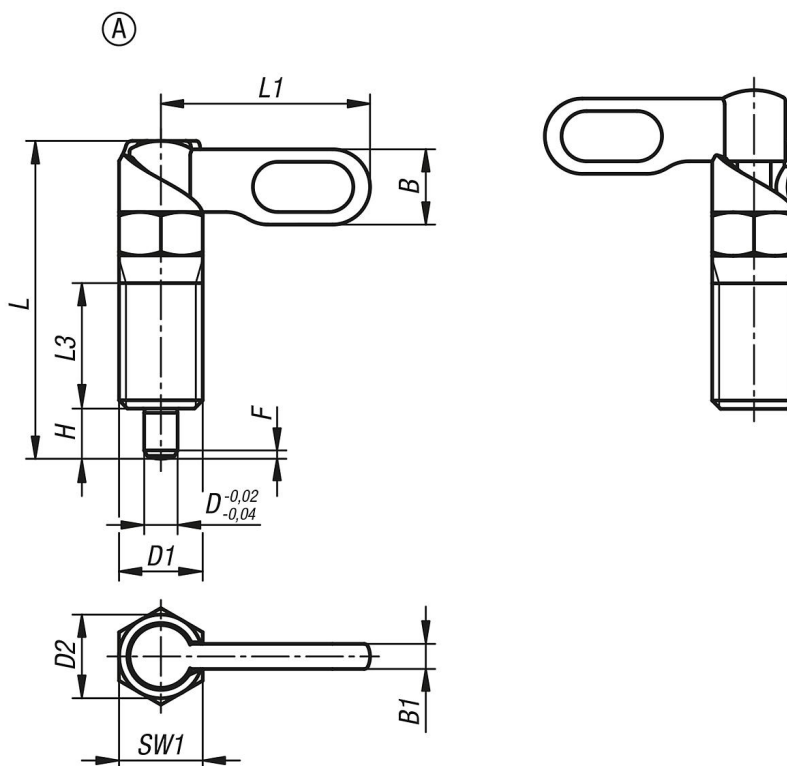
Drawing reference:

- 1) Stop, left
- 2) Stop, right



Cam-action indexing plungers with stop, stainless steel, Form A

Drawings



Overview of items

Order No.	Form	Version 2	D	D1	D2	L	L1	L3	B	B1	H	SW1	Fx30°	Spring force initial pressure F1 approx. N	Spring force final pressure F2 approx. N
K1285.1040410	A	left	4	M10	10	38	25	15	9	3	6	10	1	8	14
K1285.1040510	A	left	5	M10	10	38	25	15	9	3	6	10	1,3	8	14
K1285.1040610	A	left	6	M10	10	38	25	15	9	3	6	10	1,8	8	14
K1285.1040512	A	left	5	M12	12	47,8	30	19	10,8	3,6	8	12	1,3	8	15
K1285.1040612	A	left	6	M12	12	47,8	30	19	10,8	3,6	8	12	1,8	8	15
K1285.1040812	A	left	8	M12	12	47,8	30	19	10,8	3,6	8	12	2,3	8	15
K1285.1040616	A	left	6	M16	16	60,4	40	26	14,4	4,8	10	16	1,8	15	35
K1285.1040816	A	left	8	M16	16	60,4	40	26	14,4	4,8	10	16	2,3	15	35
K1285.1041016	A	left	10	M16	16	60,4	40	26	14,4	4,8	10	16	2,8	15	35
K1285.10408201	A	left	8	M20x1,5	20	70	50	30	18	6	12	20	2,3	20	60
K1285.10410201	A	left	10	M20x1,5	20	70	50	30	18	6	12	20	2,8	20	60
K1285.10412201	A	left	12	M20x1,5	20	70	50	30	18	6	12	20	3	20	60
K1285.2040410	A	right	4	M10	10	38	25	15	9	3	6	10	1	8	14
K1285.2040510	A	right	5	M10	10	38	25	15	9	3	6	10	1,3	8	14
K1285.2040610	A	right	6	M10	10	38	25	15	9	3	6	10	1,8	8	14
K1285.2040512	A	right	5	M12	12	47,8	30	19	10,8	3,6	8	12	1,3	8	15
K1285.2040612	A	right	6	M12	12	47,8	30	19	10,8	3,6	8	12	1,8	8	15
K1285.2040812	A	right	8	M12	12	47,8	30	19	10,8	3,6	8	12	2,3	8	15
K1285.2040616	A	right	6	M16	16	60,4	40	26	14,4	4,8	10	16	1,8	15	35
K1285.2040816	A	right	8	M16	16	60,4	40	26	14,4	4,8	10	16	2,3	15	35
K1285.2041016	A	right	10	M16	16	60,4	40	26	14,4	4,8	10	16	2,8	15	35
K1285.20408201	A	right	8	M20x1,5	20	70	50	30	18	6	12	20	2,3	20	60
K1285.20410201	A	right	10	M20x1,5	20	70	50	30	18	6	12	20	2,8	20	60
K1285.20412201	A	right	12	M20x1,5	20	70	50	30	18	6	12	20	3	20	60

