

Product name: PK cable lug 185-10

STK code: 5200305

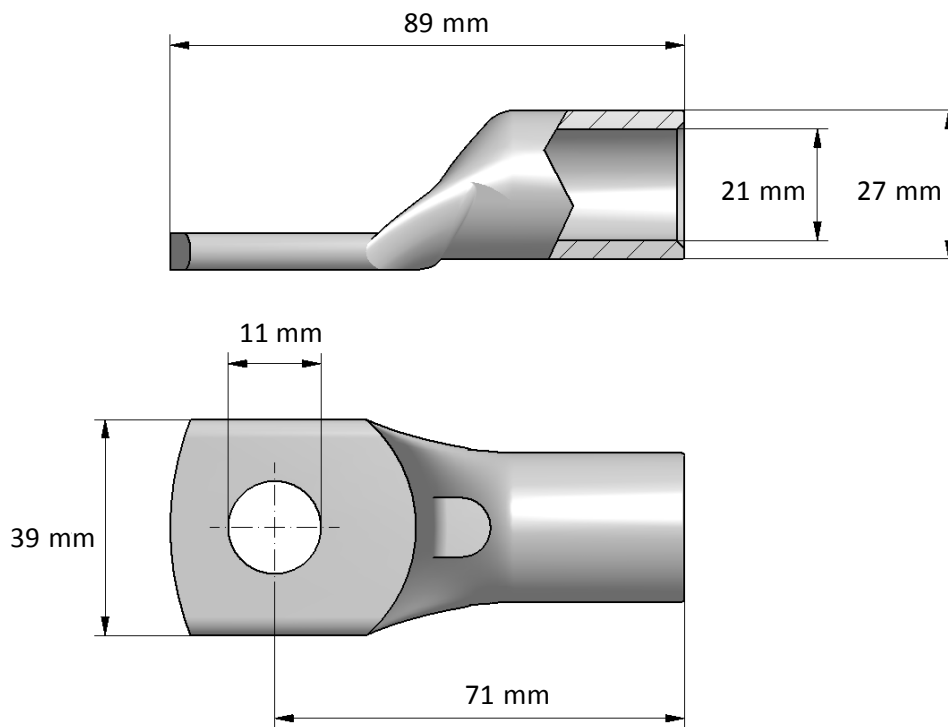
Weight (g): 172,7

 Wire size (mm²): 185

Nominal current (A): -

Nominal voltage (V): -

Installation: Crimping type tube connector



Product description

Ouneva copper cable lugs are designed for connecting copper cables, coils and busbars. The lugs are manufactured of 99,9% pure copper and electrolytically coated by tin. Cable lugs are also compatible with PEX cables. Installation of the cable lugs can be performed by the most basic crimping tools.

Package (pce): 20

Packing type: Box

Length (mm): 176

Height (mm): 80

Width (mm): 141

Volume (l): 1,985

Weight (kg): 3,545