

**Product data**

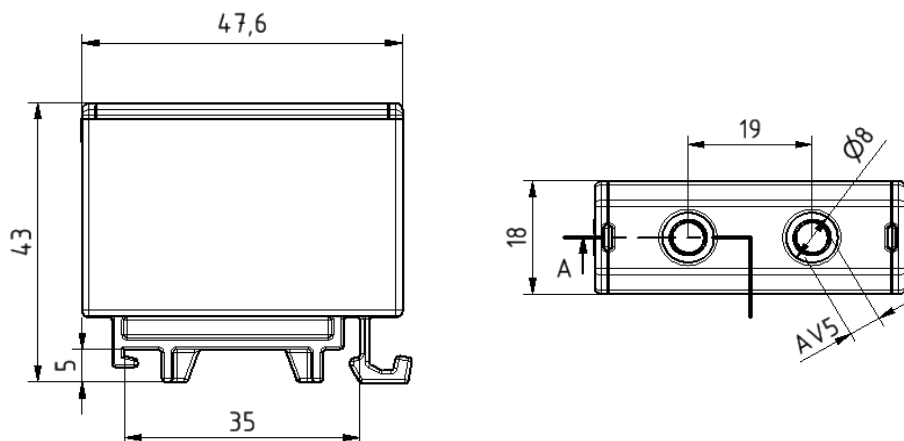
Product code	<b>VC05-0046</b>	STK-code	<b>1914104</b>	EAN-code	<b>6410019141047</b>
Product name	<b>OTL-connector 1xAl/Cu 1,5-50mm<sup>2</sup> (Blue)</b>				
Wires	<b>1xAl/Cu 1,5-50mm<sup>2</sup></b>				

**Technical data**

Nominal current	Cu	<b>160</b>	A
	Al	<b>145</b>	A
Nominal voltage		<b>1000</b>	V
Max. Current (US)	Cu	<b>150</b>	A
	Al	<b>120</b>	A
Max. Voltage (US)		<b>600</b>	V
Number of pole		<b>1</b>	pcs
Max. Cross section		<b>50</b>	mm <sup>2</sup>
Tightening torque	1,5-2,5 mm <sup>2</sup>	<b>1,5</b>	Nm
	4-10 mm <sup>2</sup>	<b>5</b>	Nm
	16-50 mm <sup>2</sup>	<b>12</b>	Nm
	-	-	Nm
Max. Operating temperature		<b>80</b>	°C
Weight		<b>30</b>	g
IP-protection		<b>IP20</b>	
Standards	<b>EN 61238-1; EN60947-7-1; UL1059</b>		
Color/ Material	<b>Blue RAL 5015/ PA66</b>		
Mounting/ Connection	<b>DIN-rail mounting</b>		


**Description**

OTL-connectors are designed to be used connecting and branching aluminium and copper conductors. Bodies are made of tin-plated aluminium.

**Drawing**

**Package**

Package	<b>Box</b>	pcs/ package	<b>50</b>	Weight [Kg]	<b>1,60</b>
Length [mm]	<b>210</b>	Width [mm]	<b>155</b>	Height [mm]	<b>105</b>