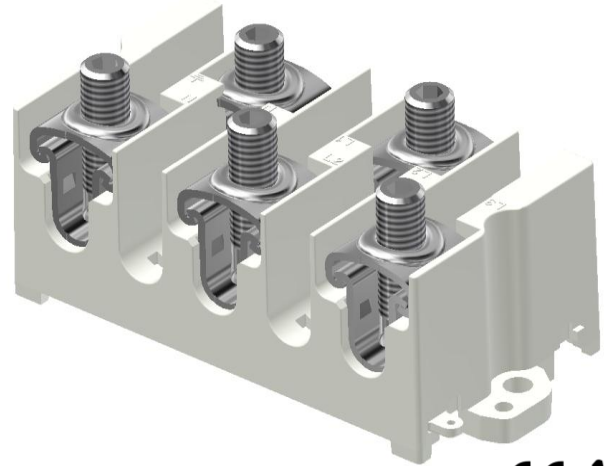


**Product data**

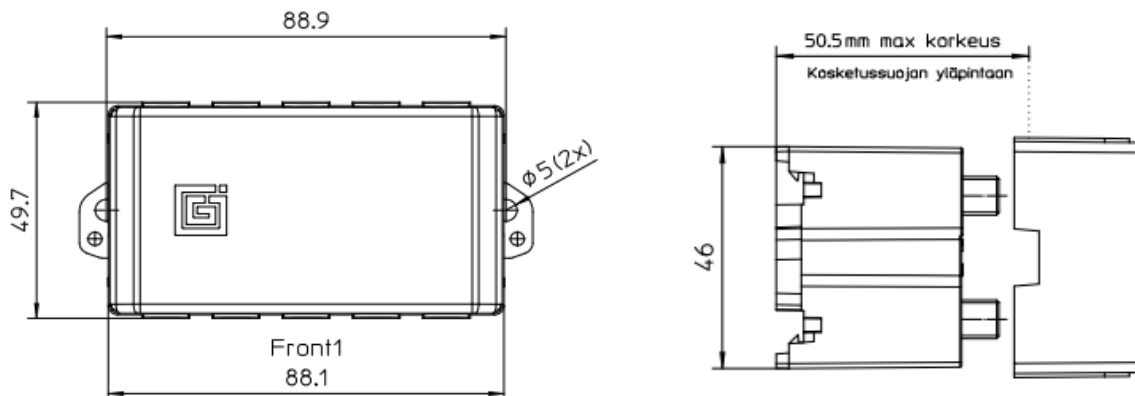
Product code	<b>VG01-0019</b>	STK-code	<b>1914147</b>	EAN-code	<b>6410019141474</b>
Product name	Terminal plate 5x16				
Wires	5xCu 2,5-16 mm <sup>2</sup>				

**Technical data**

Nominal current	Cu	<b>124</b>	A
	Al	-	A
Nominal voltage		<b>690</b>	V
Max. Current (US)	Cu	-	A
	Al	-	A
Max. Voltage (US)		-	V
Number of pole		<b>5</b>	pcs
Max. Cross section		<b>16</b>	mm <sup>2</sup>
Tightening torque	2,5-6 mm <sup>2</sup>	<b>3</b>	Nm
	10-16 mm <sup>2</sup>	<b>5</b>	Nm
		-	Nm
		-	Nm
Max. Operating temperature		<b>80</b>	°C
Weight		<b>145</b>	g
IP-protection		-	
Standards	<b>EN 60947-7-1:2009</b>		
Color/ Material	<b>Grey plastic frame RAL 7035</b>		
Mounting/ Connection	<b>DIN-rail and screw mounting. Sealing for cover.</b>		


**Description**

Connection plate is designed for connecting power cables. Product is equipped with fastening snaps for insulating cover. (Available separately). When is used insulating cover, the connector can be sealing.

**Drawing**

**Package**

Package	<b>Box</b>	pcs/ package	<b>50</b>	Weight [Kg]	<b>7,45</b>
Length [mm]	<b>390</b>	Width [mm]	<b>250</b>	Height [mm]	<b>120</b>