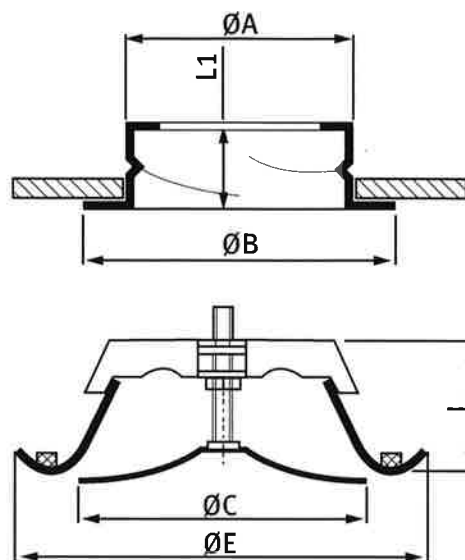


**SUPPLY AIR VALVE****SR-S**

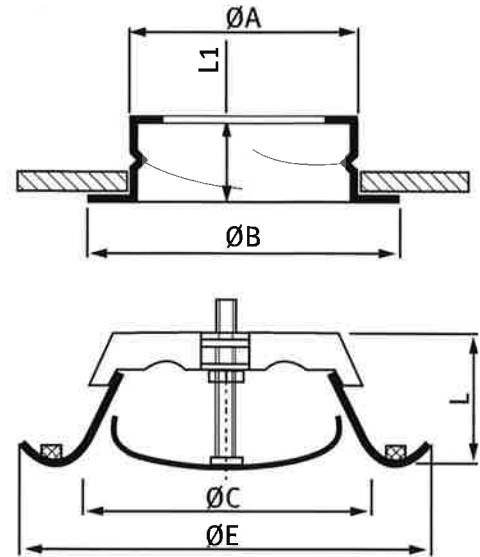
- supply air valve designed for ceiling mounting on ventilation ducts
- made of galvanized steel
- painted white (RAL 9010)
- easy adjustment of air flow by rotating central part
- blocking nut allows for setting the minimum slot
- special design provides low noise level
- high quality and modern design
- fast and easy installation

valve diameter	ØA mm	ØB mm	ØC mm	ØE mm	L mm	L1 mm
80	79	118	78	115	55	50
100	98	125	95	137	55	50
125	123	150	115	164	60	50
150	148	176	138	202	60	50
160	159	185	148	212	60	50
200	198	225	203	248	60	50
250	248	290	250	305	75	50



EXHAUST AIR VALVE

SR-E



- exhaust air valve designed for ceiling mounting on ventilation ducts
- made of galvanized steel
- painted white (RAL 9010)
- easy adjustment of air flow by rotating central part
- blocking nut allows for setting the minimum slot
- special design provides low noise level
- high quality and modern design
- fast and easy installation

valve diameter	ØA mm	ØB mm	ØC mm	ØE mm	L mm	L1 mm
80	79	118	62	115	55	50
100	98	125	76	142	55	50
125	123	150	100	167	65	50
150	148	176	120	202	65	50
160	159	185	128	212	65	50
200	198	225	157	255	65	50
250	248	290	215	305	75	50