

4

3

2

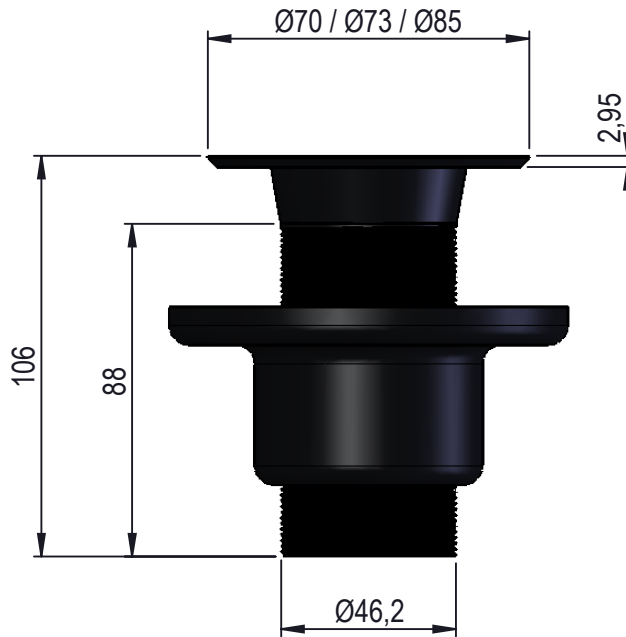
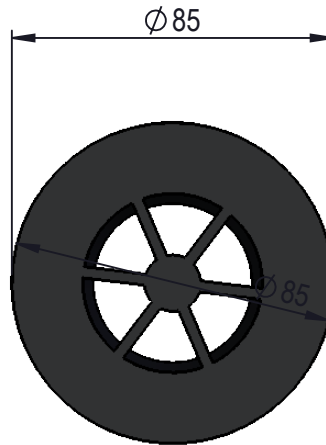
1

Area of Application:

All media

Temperature range 0-80°C

Materials in media contact:
PP



Description: SINK WASTE Ø 85 x 106

							Media: All media					
							Comments:					
							Drawing type: Customer drawing			Weight: 0.2 Kg		
Rev.	Pos.	Date	TM No.	Design by	Drawn by:	Change:	Designed by: ROE	Drawn by: PEC	Released on TM No.	Date: 19-03-21		
BROEN-LAB						This drawing is our property and cannot be given to a third party, copied or otherwise used without our permission. BROEN-LAB A/S.			Format: A4		Drawing No.: 97B0073	

4

3

2

1