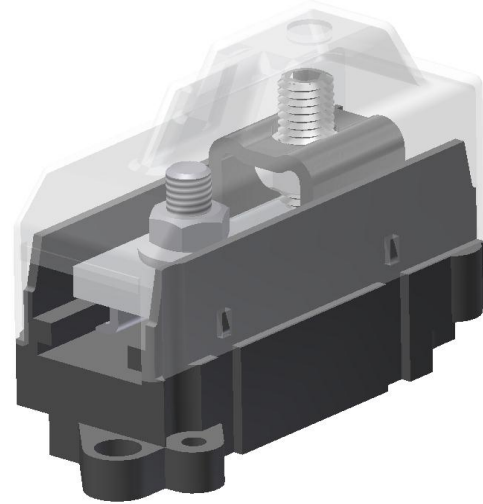


Product data

Product code	VC03-0002	STK-code	1914141	EAN-code	6410019141412
Product name	OLE 95-185				
Wires	1xAl/Cu 95-185 mm²				

Technical data

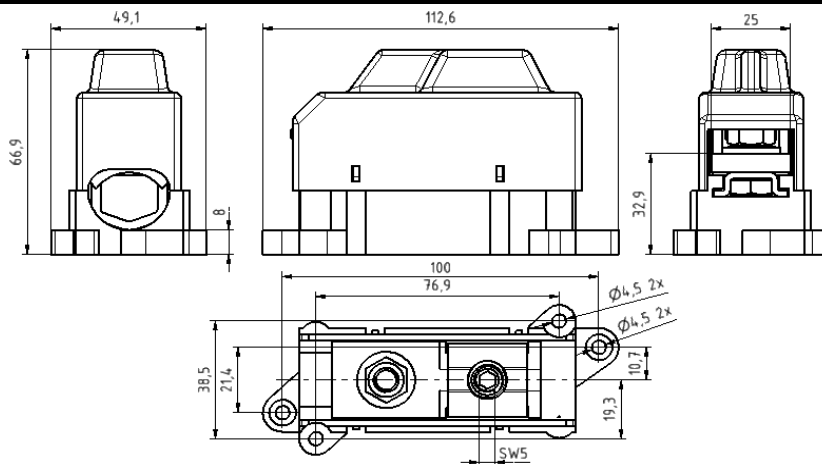
Nominal current	Cu	400	A
	Al	400	A
Nominal voltage		690	V
Max. Current (US)	Cu	-	A
	Al	-	A
Max. Voltage (US)		-	V
Number of pole		1	
Max. Cross section		185	mm ²
Tightening torque	95-185 mm ²	40	Nm
Max. Operating temperature		80	°C
Weight		237	g
IP-protection		IP20	
Standards		-	
Color/ Material		Connector Stainless steel/ Tin plated copper; Housing PP66/ PC	
Mounting/ Connection		Screw	



Description

OLE-connectors are housing equipped OL-connectors. They are designed to be used connecting aluminium and copper conductors. Frames are made of stainless steel and busbars are tin-plated copper. OLE-connectors can be mounted side by side with screws to each other.

Drawing



Package

Package	Box	pcs/ package	10	Weight [Kg]	2,50
Length [mm]	300	Width [mm]	205	Height [mm]	100